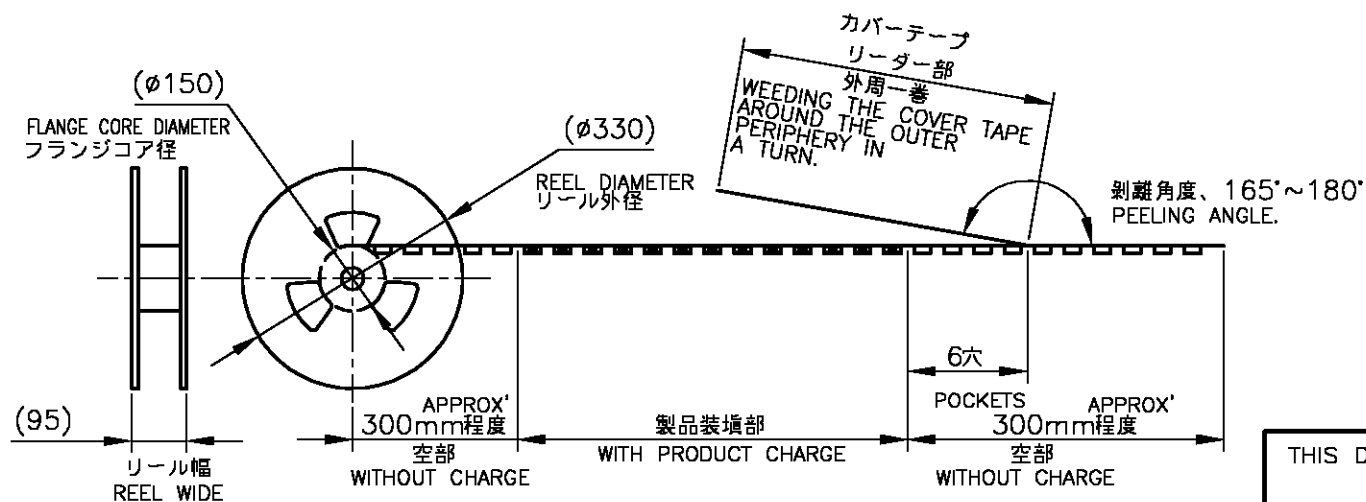
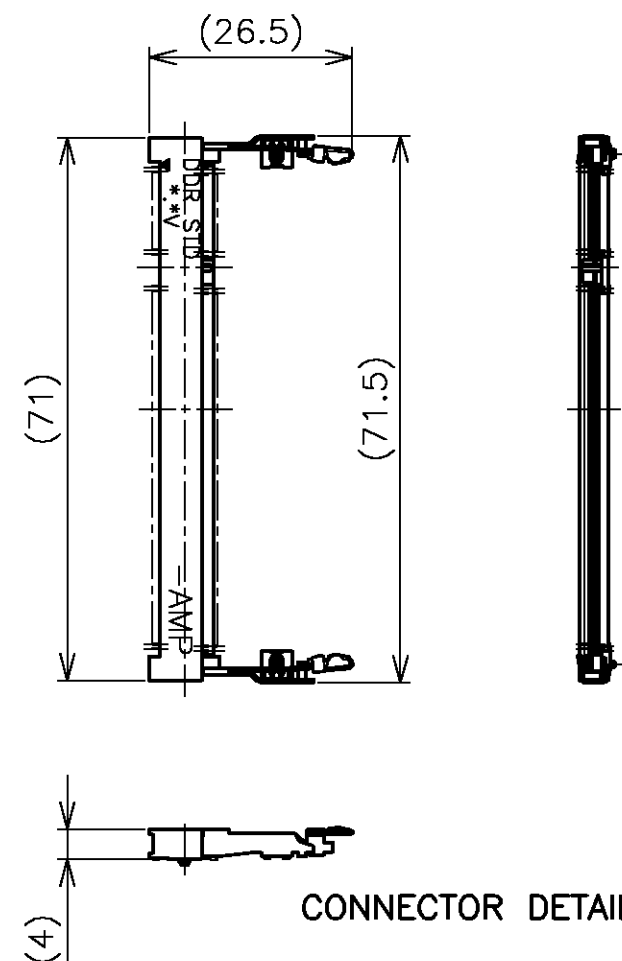
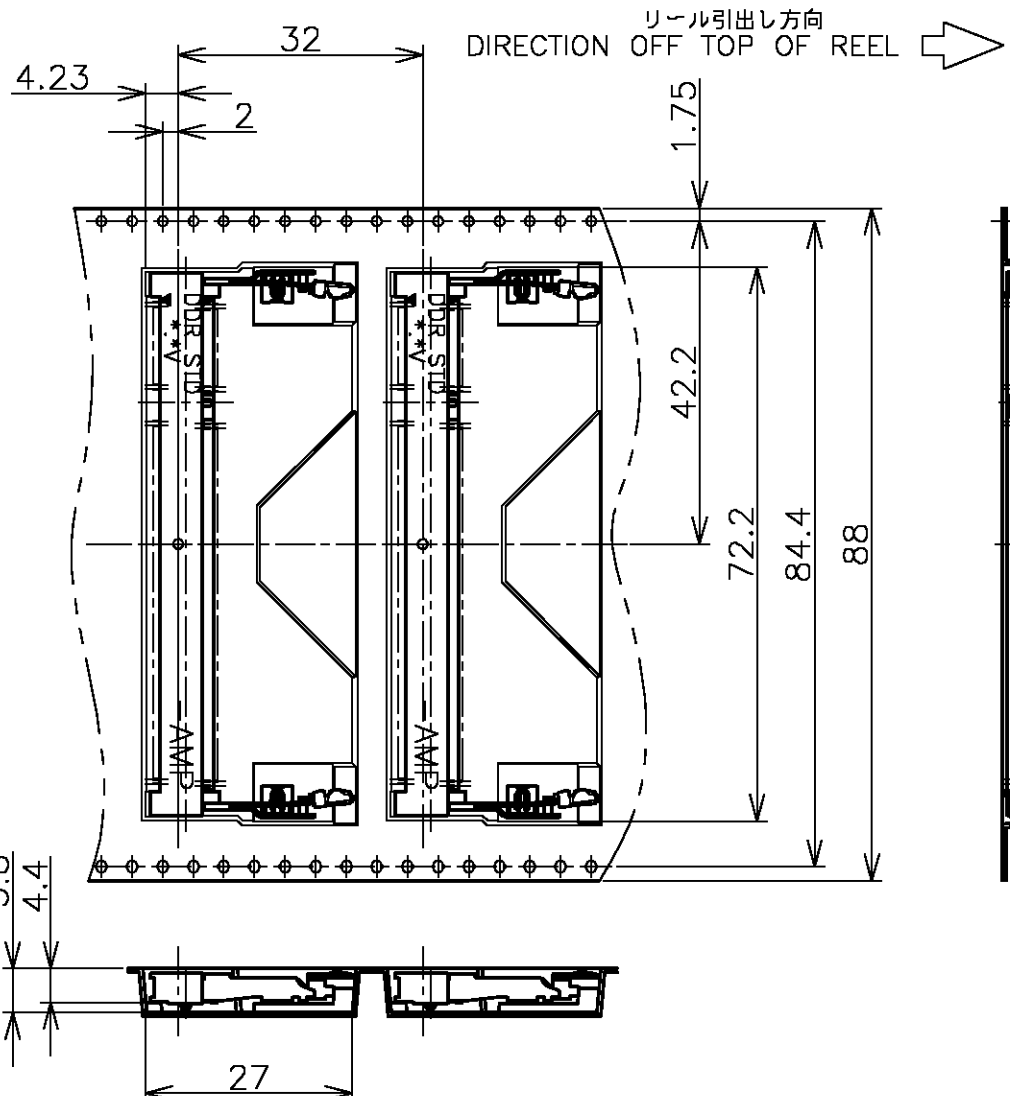


P	LTR	DESCRIPTION	DATE	DWN	APVD
C		REVISED (FJB0-0954-03)	6JAN04	T.F	H.M



鉛フリー  
LEAD FREE

1.8V (DDR2)	200EA/REEL	1565618-4	1612559-4
2.5V (DDR1)	200EA/REEL	1565618-1	1612559-1
POWER SUPPLY (TYPE)	QTY	CONNECTOR P/N	P/N

THIS DRAWING IS A CONTROLLED DOCUMENT.

DWN T.FUTATSUGI 11JUN02	Tyco Electronics AMP K.K. Kawasaki, Japan
CHK T.KUSUHARA 11JUN02	
APVD I.ENOMOTO 11JUN02	NAME 名称 EMBOSS ASSEMBLY DDR1 & DDR2 SODIMM SOCKET 200P LOW PROFILE STANDARD TYPE
DIMENSIONS: 単位: 耗 MM	PRODUCT SPEC 製品規格 108-5701
TOLERANCES UNLESS OTHERWISE SPECIFIED: 一般公差	APPLICATION SPEC 取付適用規格
0 PLC ± 0.3	SIZE A3
1 PLC ± 0.3	CAGE CODE 00779
2 PLC ± 0.3	DRAWING NO 1612559
3 PLC ± 0.3	RESTRICTED TO
4 PLC ± 0.3	SCALE 尺度 1:1
ANGLES ± 5'	SHEET 1 OF 1
MATERIAL 材料	WEIGHT
FINISH 仕上	REV C

CUSTOMER DRAWING